

NorthDome®



GAS DENSITY METER

Northdome® sensor is a unique transmitter that measures in real-time gas density and temperature. With its small footprint and stainless steel construction, Northdome® is ideal for OEM applications such as being embedded into gas analytical instruments or gas metering systems. Its approved design for use in hazardous areas and its compactness give the Northdome® the assets to bring gas density and temperature monitoring into a wide range of applications.

The fast response time and high repeatability provided by the patented Mesoscale® design offer a unique opportunity to stay close to composition changes whether in laboratory or process conditions. Installed in a tank or through tubing, its “plug and play” capability leads to easy on site deployment which contributes to simplify and provide safe systems.

NORTHDOME® REAL-TIME OUTPUTS



DENSITY



TEMPERATURE

- ▶ Combined with a pressure sensor, Northdome® calculates molar mass, specific gravity of standard gas, CH₄ or CO₂ concentration of biogas.

NORTHDOME® BENEFITS



EASY TO INTEGRATE
COMPACT < 10CM



DURABLE
WETTED PARTS SS316L



COST EFFECTIVE



SAFETY IN HAZARDOUS AREAS
ATEX/IECEX (ZONE 0)



TYPICAL APPLICATIONS



WOBBE INDEX CALCULATION



ENHANCED MONITORING CONTROL



INDUSTRIAL GAS PURITY




BIOGAS MONITORING



GAS DENSITY METER

PERFORMANCES

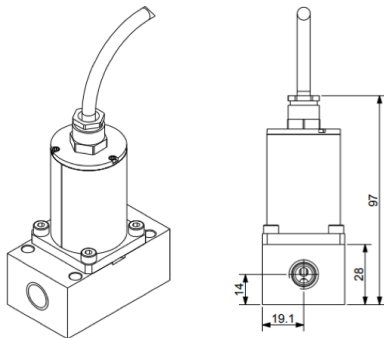
	Standard	High Temperature (on request)
Calibration ranges (other on request)	Density 0.3 ... 3 or 1.5 ... 8 kg/m ³ Temperature +10 ... 70°C	Density 1.5 ... 8 kg/m ³ Temperature +70 ... 130°C
Accuracy	Density +/- 0.015 kg/m ³ Temperature +/- 0.5°C	Density +/- 0.040 kg/m ³ ⁽¹⁾ Temperature +/- 0.5°C
Repeatability	Density 0.0025 kg/m ³ Temperature 0.1°C	Density 0.010 kg/m ³ Temperature 0.5°C
Operating conditions	Temperature -40 ... +105°C ⁽²⁾ Pressure 0 ... 20 bars Flow velocity up to 10m/s	T° sensing element -40 ... +150°C T° electronic housing -40 ... +105°C ⁽²⁾ Pressure 0 ... 20 bars
Communication protocols (other on request)	Modbus (RS485), UART (USB) 4-20mA, Frequency	
Power Supply	12-24 VDC	
Certifications 	CE, EMC (EN61326-1:2013 NE21:2011) ATEX II 1G Ex ia IIC T4 Ga IECEx Ex ia IIC T4 Ga	ATEX II 1G Ex ia IIC T3 Ga IECEx Ex ia IIC T3 Ga

⁽¹⁾ Calibrated with N₂, other gas on demand
⁽²⁾ +95°C in Ex area

MECHANICAL INTEGRATION

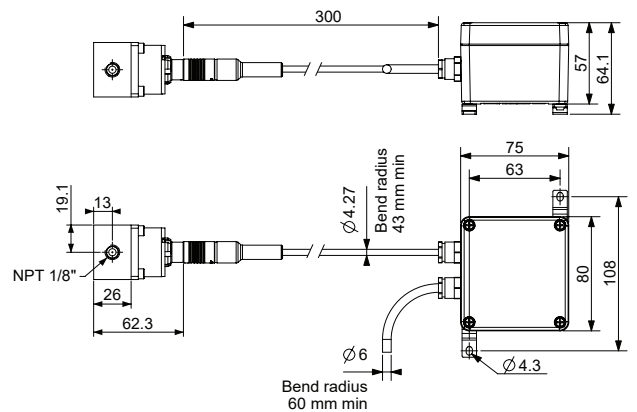
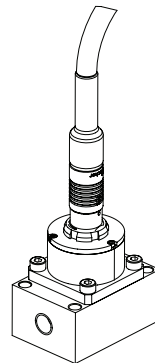
Standard

▶ approximate total weight 500g



High Temperature

▶ approximate total weight 930g



Dimensions in mm